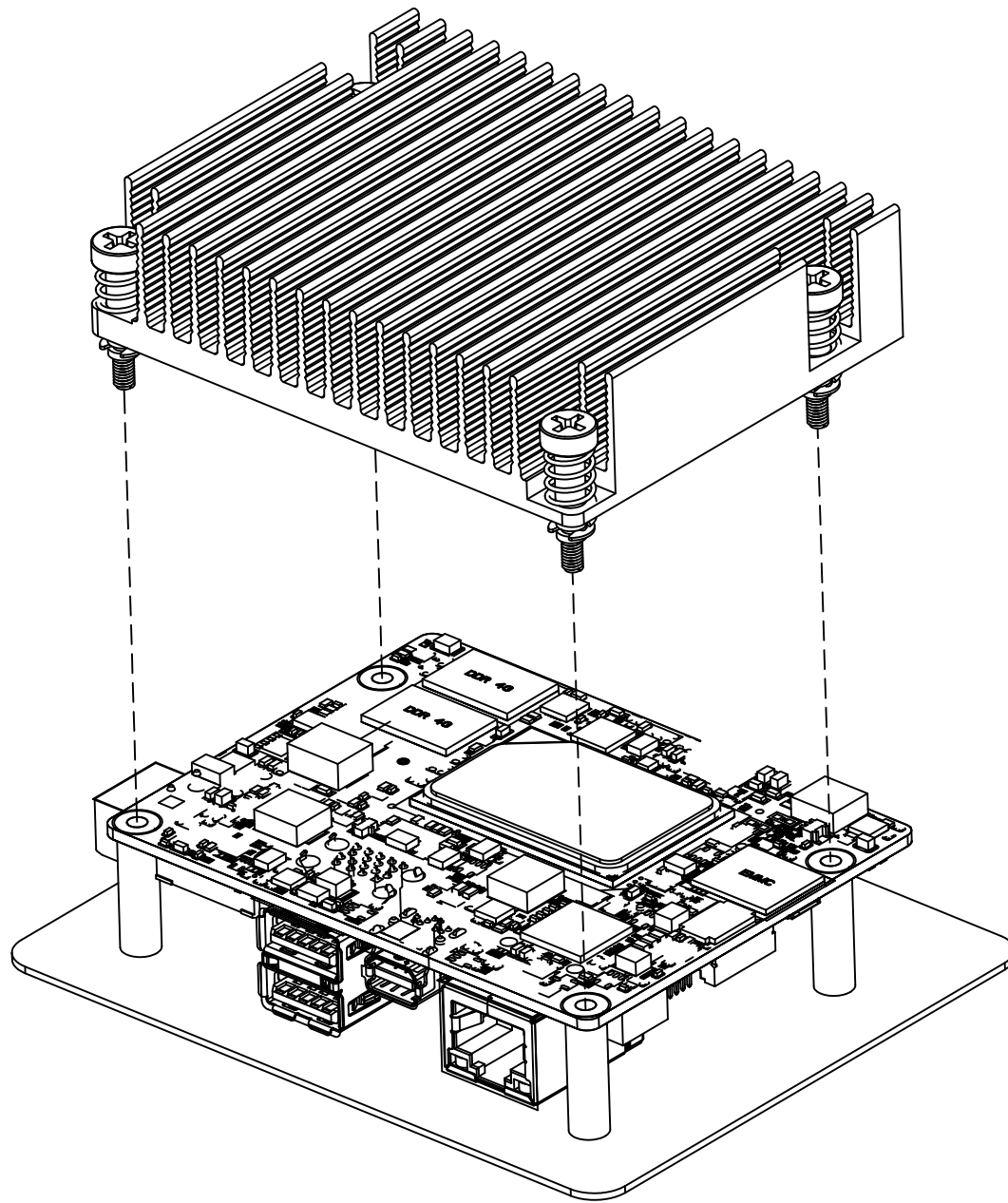
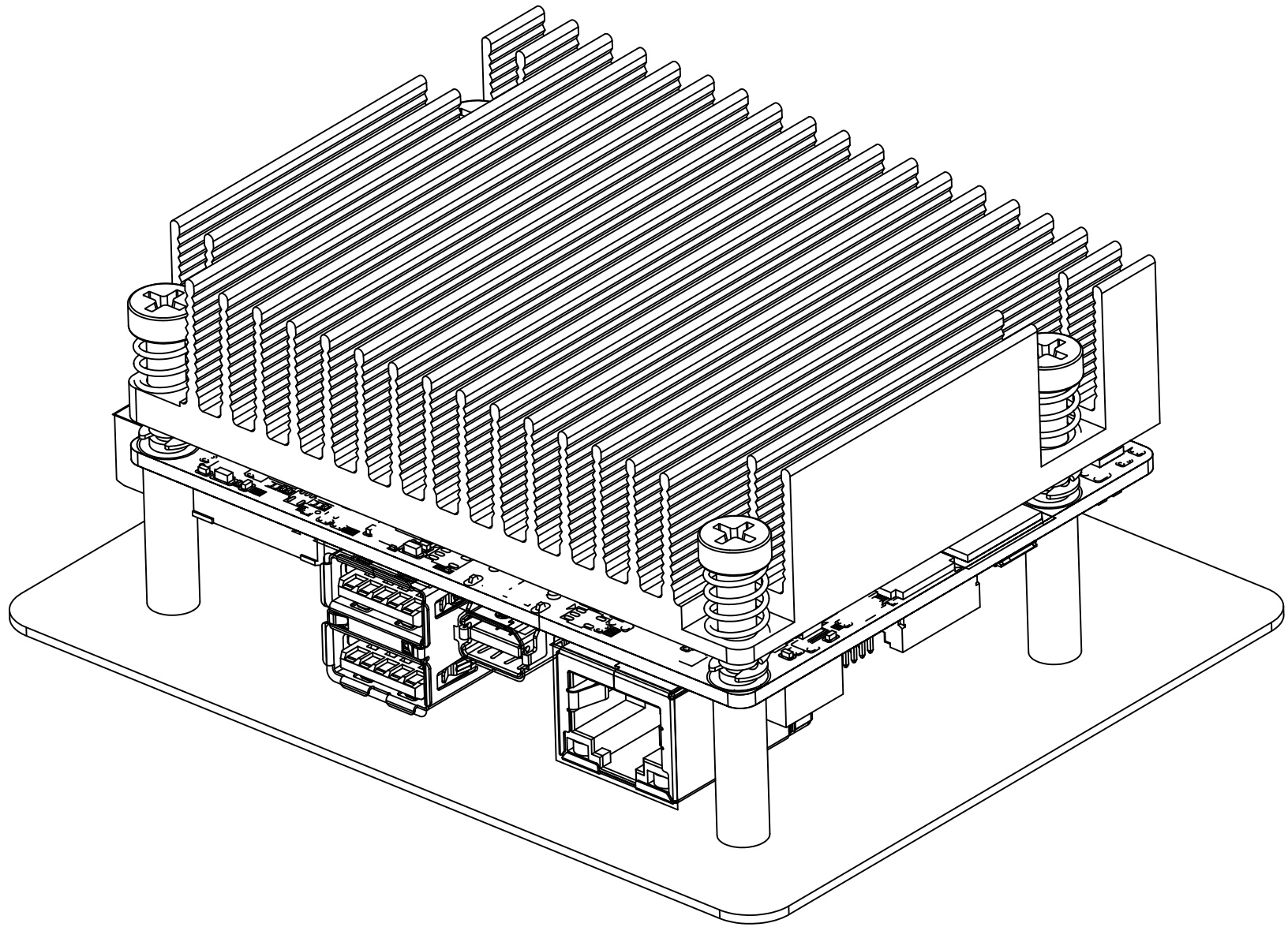


1.Pre-fix the mainboard on chassis.



2. Remove heatsink thermal pad cover and assemble with chassis.



**3.Heatsink assembled.**